

# Safety set

## STAINLESS STEEL



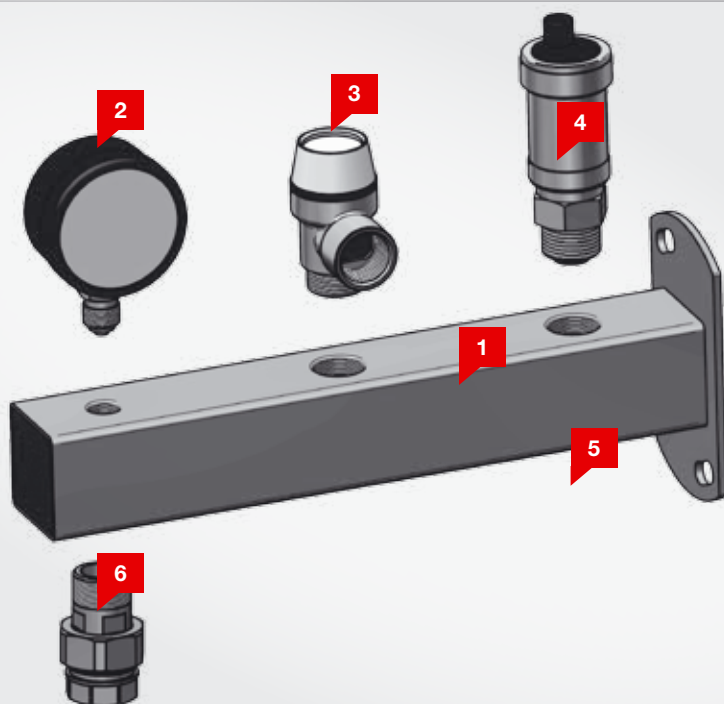
The safety set consists of a complete system for protecting heating and water systems against dangerous pressure increase due to high water temperature in the system.

- resistant to corrosion
- stainless steel (grade 1.4301)
- high quality and long-term operation
- standard components: safety valve, pressure gauge, air vent

See our wide range of safety groups at: [www.capricorn.pl](http://www.capricorn.pl)

## SAFETY SETS FOR CENTRAL HEATING AND HOT WATER SYSTEMS

	Safety sets with accessories		Safety sets without accessories	
Stainless steel				
Powder painted steel				
Zinc plated steel				



1. Mounting strip
2. Pressure gauge 6 bar for central heating systems and 10 bar for hot water systems
3. Safety valve 1.5 and 3 bar for central heating systems and 6 bar for hot water systems
4. Automatic air vent
5. Connection – 3/4"
6. Connection of the pressure vessel – 3/4" or quick-coupling – 3/4"

	Specifications
Safety valve 1.5 bar →	Max 50 kW
Safety valve 3 bar →	Max 64 kW
Safety valve 6 bar →	Max 144 kW
Pressure vessel	Max 25 l