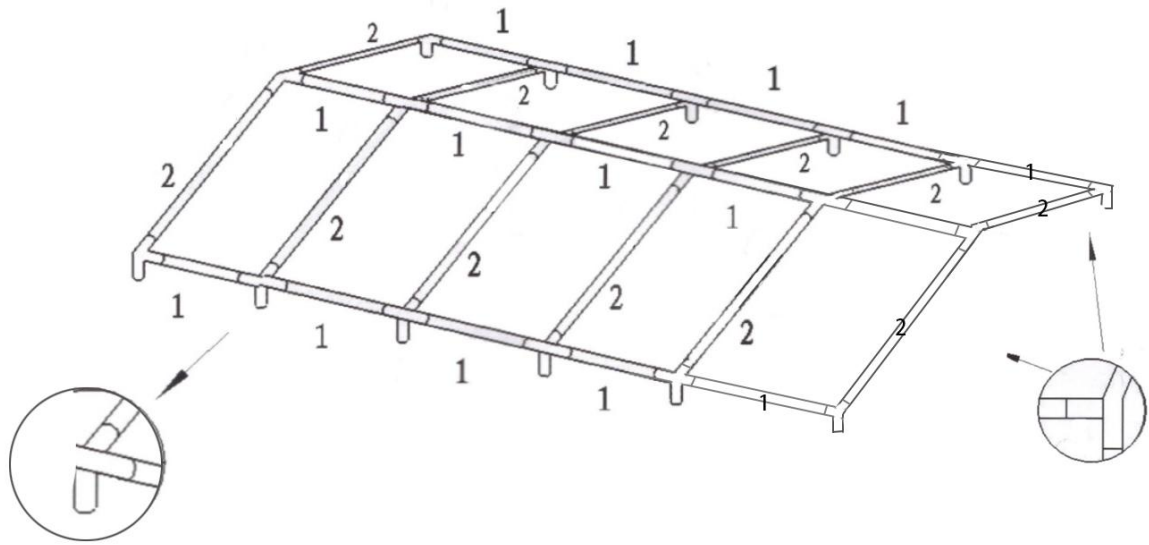
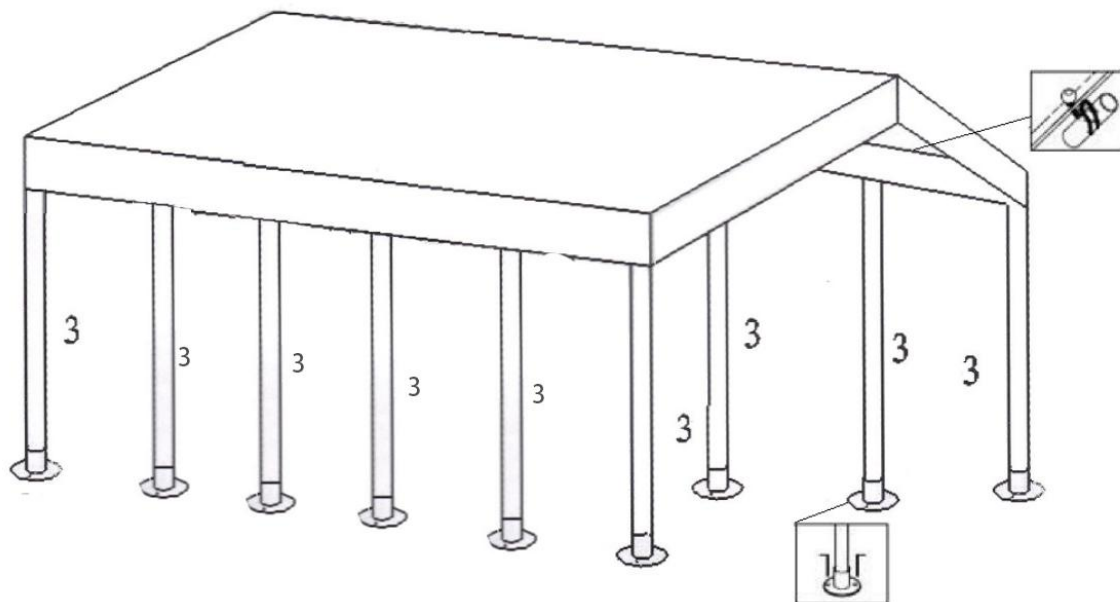


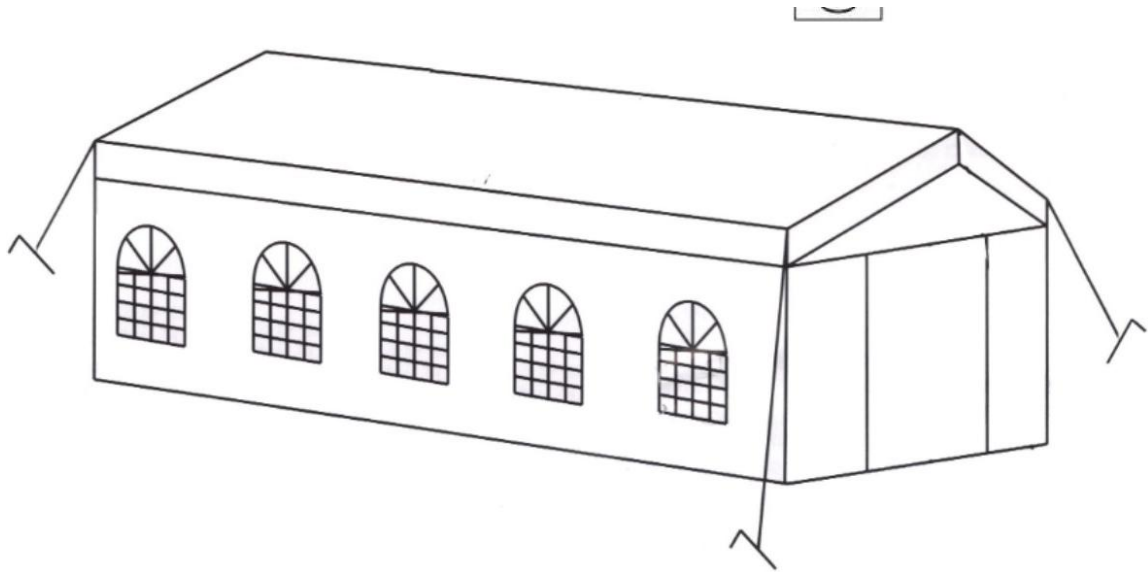
# אוהל אולימפיה 10X4



1. Take out all of the tubes from the cartons, then put the 3-way joints and 4-way joints in the places which showing on the above picture.
2. Second put the 2# (214cm) and 1# poles (193cm) at the places like above, then joint the 2# and 1# tubes with the 3-way joints and 4-way joints like above.



3. After finish installing the roof frame, put the PE cover on the frame.
4. Then install 3# tubes from one side (need at least 5 person) to other side.



5. According to your request, you can install the walls and door walls by using the bungee balls.

(1)		193cm   15 pcs		(D)		80 pcs
(2)		214 cm   12 pcs		(E)		12 pcs
(3)		193cm   12 pcs		(F)		4 pcs
(A)		6 pcs		(G)		1 pcs
(B)		12 pcs		(H)		2 pcs
(C)		16 pcs		(I)		2 pcs